



Electrolux
PROFESSIONAL

Eco Preparation 700 mm Sink with 1 Bowl

ITEM # _____

MODEL # _____

NAME # _____

SIS # _____

AIA # _____



132894 (SL07N)

Sink Unit with 1 bowl
500x500, 700mm

Short Form Specification

Item No. _____

Worktop in 304 AISI stainless steel with front edge h=50mm. Rear upstand h=100mm. N.1 bowl 500x500mm. Front and side covering panels in stainless steel. Rear panel in stainless steel. Square section legs 40x40mm in stainless steel with adjustable feet.

Main Features

- Sturdiness, stability and reliability of table accurately tested.

Construction

- Constructed entirely in stainless steel to offer maximum durability.
- Delivered in knock-down package.
- Wide range of taps are available to suit every need.

Optional Accessories

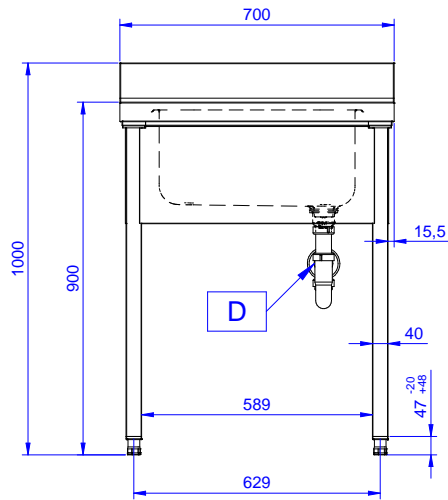
- Set of 4 wheels (2 with brake) PNC 855150
d. 100mm for tables and sinks
(total height on wheels= 993 mm)
- Single plastic drain syphon 1,5 PNC 855306
" for work tables with bowl
- Elbow operated mixer tap with PNC 855322
spout 3/4", single hole
- Elbow operated mixer tap with PNC 855323
short spout 3/4", single hole
- Foot operated mixer tap (hot PNC 855328
and cold) with spout 3/4"

APPROVAL: _____

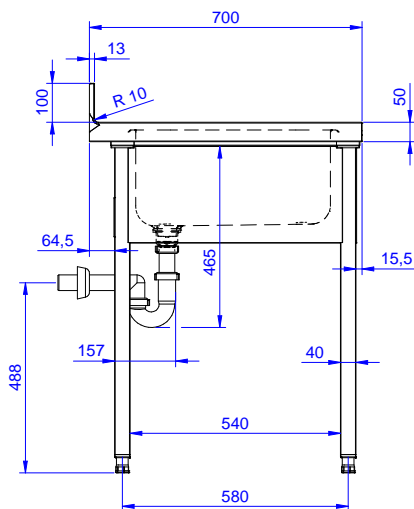


Experience the Excellence
www.electroluxprofessional.com

Front

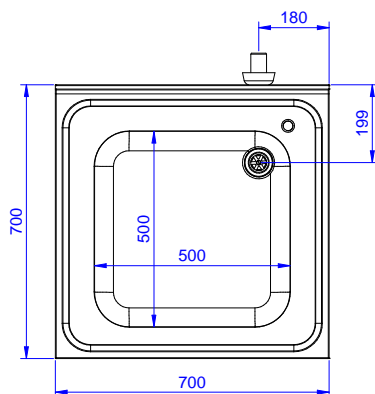


Side



D = Drain

Top


Key Information:

External dimensions, Width:	700 mm
132894 (SL07N)	
External dimensions, Depth:	700 mm
External dimensions, Height:	900 mm
Upstand Dimensions, Height:	100 mm
Upstand Dimensions, Depth:	13 mm
Upstand Dimensions, Radius:	R=10
Bowls number	1
Bowl dimensions	500x500xH250
Net weight:	20 kg